



Applications:



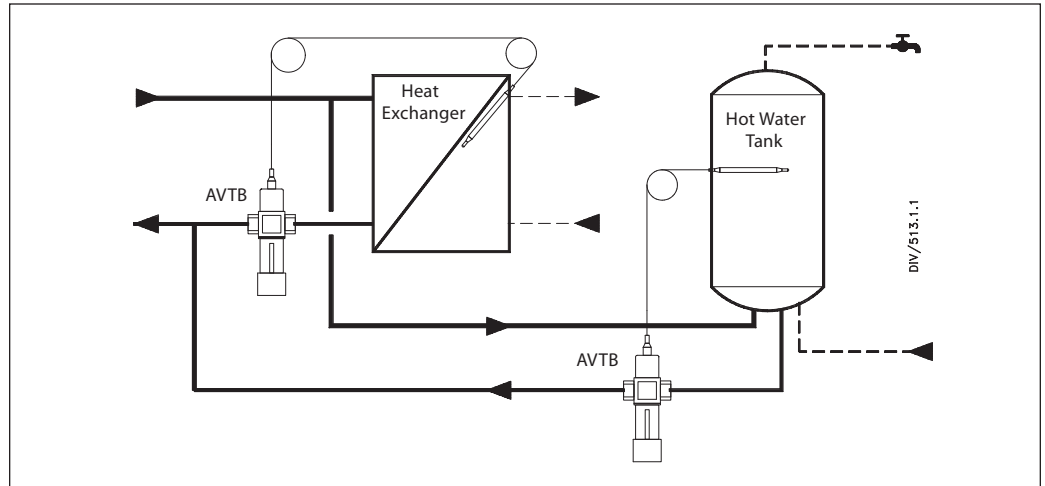
AVTB is a direct acting thermostatic temperature controller used to regulate the water temperature in hot water tanks, heat exchangers, oil preheaters, etc. The non-electric thermostatic controller closes on rising temperature.

The thermostatic controller is a three part assembly consisting of the valve body, the thermostatic element and an adjustment assembly.

Features:

- For water
- Self-acting
- Closes on rising temperature
- Can be fitted in the supply or return
- Pressure range PN 16 (232 psi/16 bar)

Typical Application:



Ordering Information:

Code No.	Model	Connection (FNPT)	Capillary Tube Length	Max. Sensor Temperature °F (°C)	C _v	Temperature Range °F (°C)
003N6032	AVTB 15	1/2"	6' 6" (2.0 m)	130 (55)	2.2	32-86 (0-30)
003N6252				190 (90)		70-140 (20-60)
003N6272				255 (125)		125-190 (50-90)
003N7032	AVTB 20	3/4"		130 (55)	4.0	32-86 (0-30)
003N7252				190 (90)		70-140 (20-60)
003N7272				255 (125)		125-190 (50-90)
003N8032	AVTB 25	1"		130 (55)	6.4	32-86 (0-30)
003N8252				190 (90)		70-140 (20-60)
003N8272				255 (125)		125-190 (50-90)

**Ordering
Information
(Cont.):**

Accessories

Code No.	Components
003N0056	Capillary tube gland
003N0418	Gasket for capillary tube gland
AVTBWELL	Sensor pocket, 3/4" NPT, brass
003N0053	Sensor pocket, 3/4" NPT, stainless steel

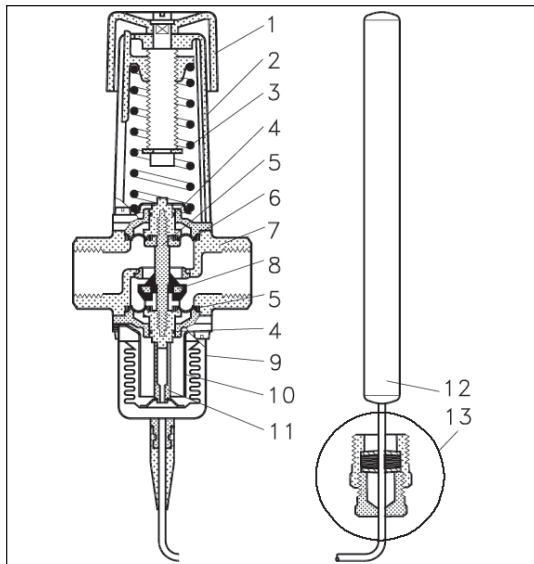
¹ Include gasket for capillary tube gland
² Ø 0.4" (Ø 9.5 mm) sensor

Spare Parts

Code No.	Components	Cap. tube length ft. (m.)
003N0075 ¹	Thermostatic element 32-85°F (0-30°C)	6'6 (2)
003N0078 ¹	Thermostatic element 70-140°F (20-60°C)	
003N0062 ¹	Thermostatic element 125-190°F (50-90°C)	
003N4006	AVTB 15	<i>Repair set:</i> Two diaphragms, two O-rings, one rubber cone, one tube of grease and eight valve cover crews
003N4007	AVTB 20	
003N4008	AVTB 25	
003N6100	1/2"	Brass AVT body and adjustment knob, less element
003N7100	3/4"	
003N8100	1"	
003N0520	AVT spare handle	

Design:

1. Handle for temperature setting
2. Spring housing
3. Setting spring
4. O-ring
5. Diaphragm
6. Spindle
7. Valve body
8. Valve cone
9. Bellows
10. Bellows stop
11. Pressure stem
12. Temperature sensor
13. Capillary tube gland



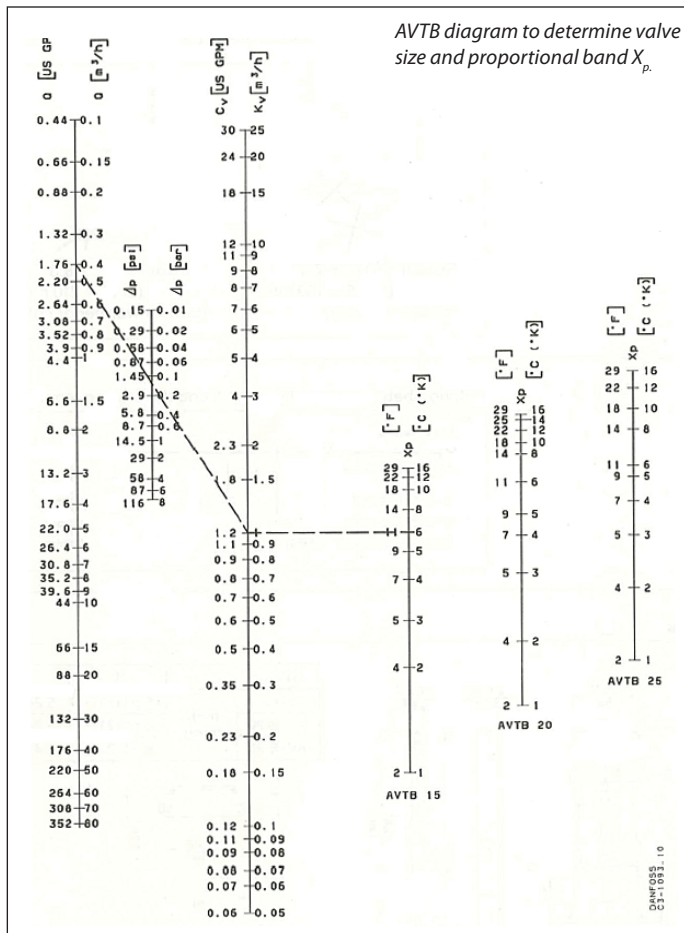
Materials, parts in contact with water:

Valve body:	Ms 58, hot-pressed
Other metal parts:	Ms 58
Diaphragms:	EPDM rubber (alt. NBR rubber for mineral oils)
Capillary tube gland:	NBR rubber
Valve cone:	NBR rubber
Valve seat:	CR Ni steel
Sensor:	Cu
Sensor pocket:	Ms 63

Specifications:

Supply temperature range:	-13°F to 266°F (-25°C to 130°C)
Maximum working pressure:	232 psi (16 bar)
Maximum differential pressure:	100 psi (7 bar)
Maximum test pressure:	365 psi (25 bar)

Sizing:



Example:

Regulation of hot water temperature.
Primary medium: water.

Given

Load:
63,000 BTU/h (18.5 kW)

Primary temperature drop Δt :
72°F (40°C[K])

Differential pressure Δp across valve:
2.2psi (0.15 bar)

Maximum hot water temperature:
130°F (55°C)

Volume:

$$Q = \frac{\text{load [BTU/h]}}{\Delta t [^\circ\text{F}] \times 500} = \frac{63,000}{72 \times 500} = 1.75 \text{ GPM} = (0.4 \text{ m}^3/\text{h})$$

Required

The correct valve size.
Temperature range and P-band.

Method

Using the AVTB diagram, connect points $Q = 1.75 \text{ GPM}$ ($0.4 \text{ m}^3/\text{h}$) and $\Delta p_v = 2.2 \text{ psi}$ (0.15 bar). Extend the line to intersect the C_v -scale (k_v -scale) and read the C_v -value (k_v -value); in this case 1.2 GPM ($1.0 \text{ m}^3/\text{h}$). From this point, take a line horizontally to intersect the X_p columns. The selection is an AVTB 15 and the P-band of this temperature regulator at the selected capacity is approximately 11°F (6°C). If a smaller P-bands is required, an AVTB 20 can be chosen. The P-band is then approximately 7°F (4°C).

In this example a max. hot water temperature of 130°F (55°C) is required. According to page 1 an AVTB 15 (code no. 003N7032) with a temperature range $70\text{-}140^\circ\text{F}$ ($20\text{-}60^\circ\text{C}$) will be suitable for this application.

Note: To ensure the most stable regulation in connection with heat exchangers a P-band of $11\text{-}14^\circ\text{F}$ ($6\text{-}8^\circ\text{C}$) is recommended.

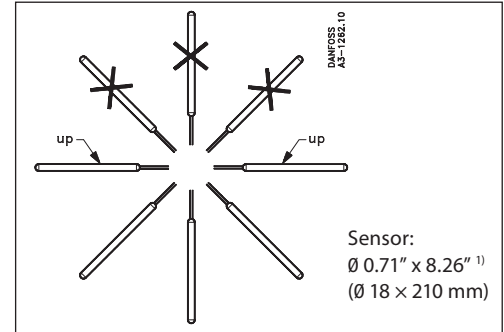
Setting:

Relation between scale numbers 1-5 and the closing temperature. The values given are approximate.

Scale setting	1	2	3	4	5		
Closing temperature (0 ... 30°C)		0	3			°C	
(20 ... 60°C)	20	35	50	60	70		
(30 ... 100°C)30	35	55	75	95	120		
(32...85°F)		32	39	60	73	85	°F
(77...150°F)	77	95	122	140	158		
(125...190°F)	125	150	176	194	210		

Installation:

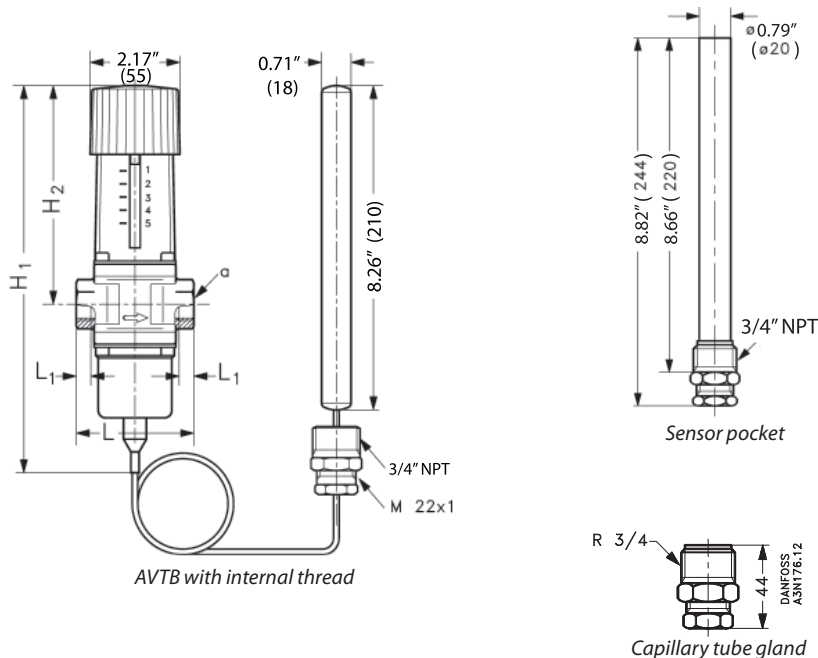
The valve can normally be fitted in the supply or return, in any position, provided the flow is always in the direction indicated by the arrow. Elements with a small sensor $\varnothing 0.4''$ (9.5 mm) ("sensor warmer") must always have the valve housing fitted in the return.



¹⁾ The sensor can be mounted where the system temperature is either warmer or colder than the temperature in the valve body

Dimensions:

Type	H ₁ in (mm)	H ₂ in (mm)	L in (mm)	L ₁ in (mm)	L2 in (mm)	L3 in (mm)	L4 in (mm)	a (int. thread)
AVTB 15	8.54 (217)	5.24 (133)	2.84 (72)	0.56 (14)	5.6 (141)	5.87 (149)	2.95 (75)	1/2" NPT
AVTB 20	8.54 (217)	5.24 (133)	3.55 (90)	0.63 (16)	6.06 (154)	6.45 (164)	3.15 (80)	3/4" NPT
AVTB 25	8.54 (227)	5.43 (138)	3.74 (95)	0.75 (19)	6.61 (168)	6.57 (167)	3.27 (83)	1" NPT



Danfoss can accept no responsibility for possible errors in printed materials and reserves the right to alter its products without notice. All trademarks in this material are property of the respective companies. Danfoss and Danfoss logotype are trademarks of Danfoss A/S. All rights reserved.



Danfoss
Toronto, ON
Toll Free: 866-375-HVAC (4822)
Tel.: 905-285-2050, Fax: 905-285-2055
www.na.heating.danfoss.com

Danfoss
Baltimore, MD
Toll Free: 866-375-HVAC (4822)
Tel.: 443-512-0266, Fax: 443-512-0270
www.na.heating.danfoss.com